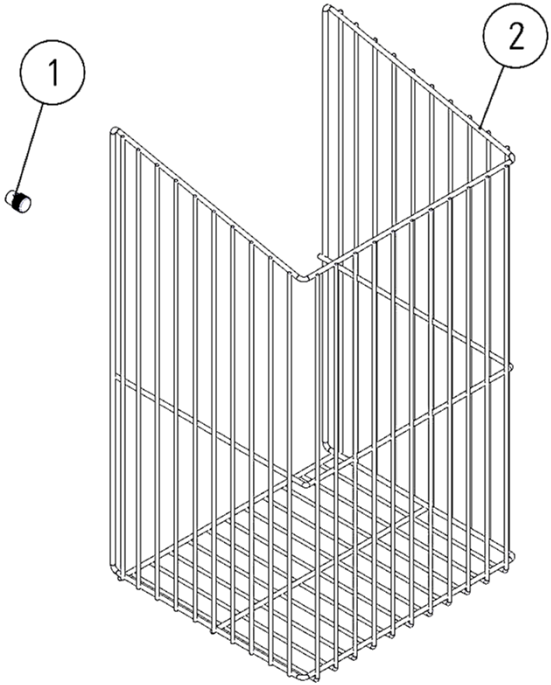
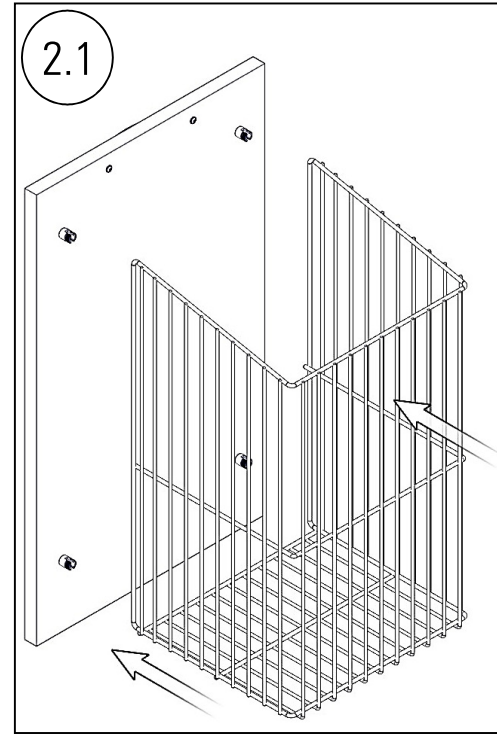
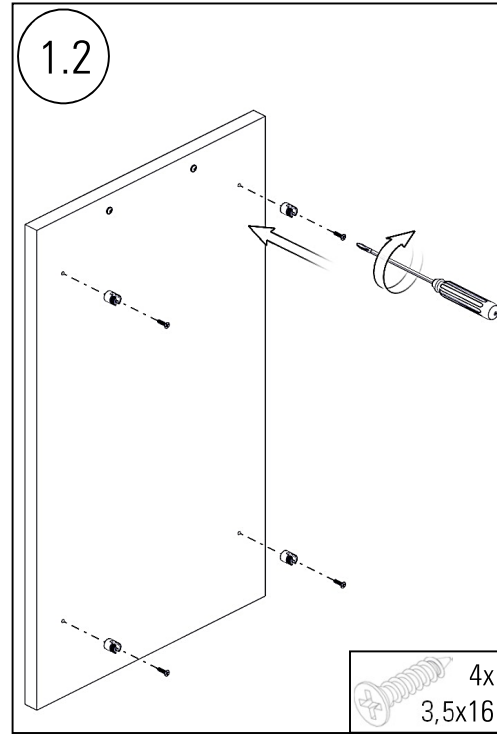
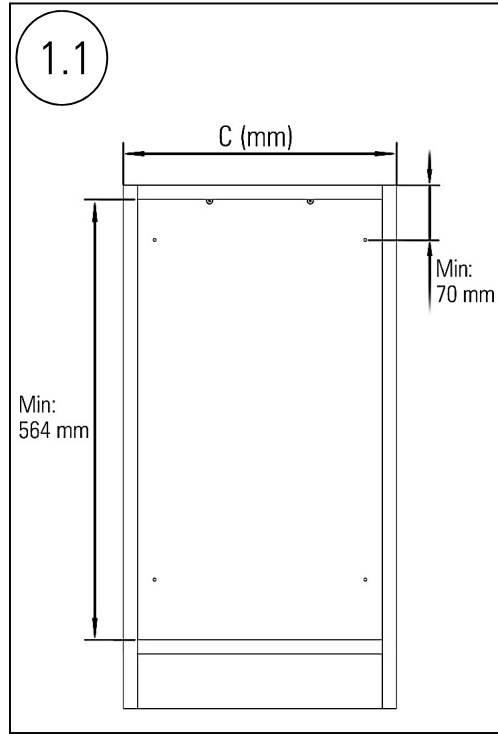


LAUNDRY BASKET MOUNTED TO LID MOUNTING

INSTRUCTIONS



Product Code	C (mm)
S-8011	300
S-8012	350
S-8013	400
S-8014	450
S-8015	500



ITEMS PART		
NO	PARÇA RESİM / PART DRAWING	ADET PCS.
1		4
2		1
3		4

