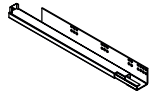
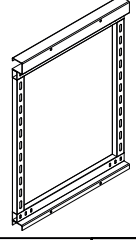
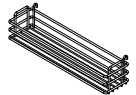
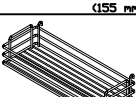
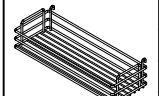
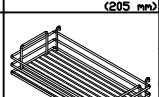

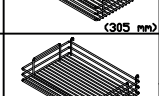
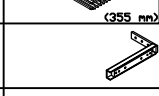
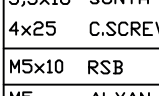
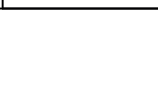


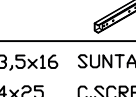
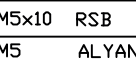


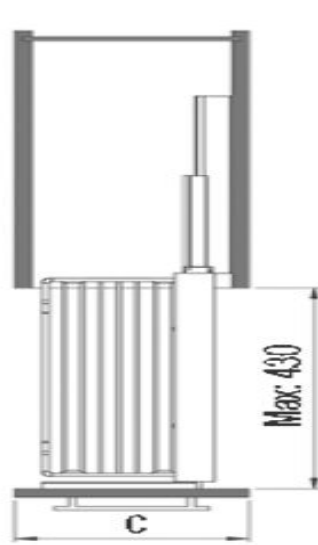
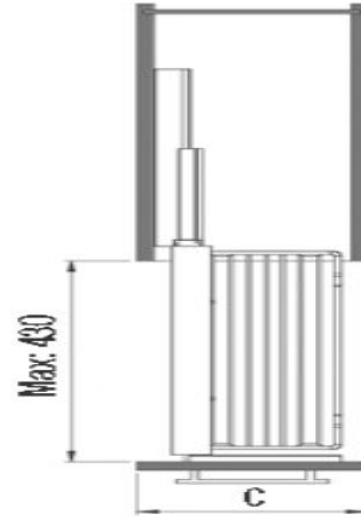


| NO | PARÇA RESMI/ PART DRAWING | AD./ PCS. |
|----|---|--------------|
| 1 |  | 2 |
| 2 |  | 1 |
| 3 |  (155 mm) | S-2207 1 |
| |  (155 mm) | S-2208 1 |
| 4 |  (205 mm) | S-2203 3 |
| |  (205 mm) | S-2204 3 |
| |  (205 mm) | S-2207 1 |
| |  (205 mm) | S-2208 1 |
| 5 |  (255 mm) | S-2205 3 |
| |  (255 mm) | S-2206 3 |
| |  (255 mm) | S-2207 1 |
| 6 |  (305 mm) | S-2208 1 |
| |  (305 mm) | S-2791 3 |
| 7 |  (355 mm) | S-2792 3 |
| |  (355 mm) | S-2793 3 |
| 8 |  (355 mm) | S-2794 3 |
| |  | 2 |
| 9 | 3,5x16 SUNTA VIDASI | 6 |
| | 4x25 C.SCREW | 4 |
| | M5x10 RSB | 6 |
| | M5 ALYAN | 1 |

UNIT WITH SIDE TANDEM RAIL (90 DEGREES) MOUNTING INSTRUCTIONS



Direction: Sol-Left



Direction: Sağ-Right

